

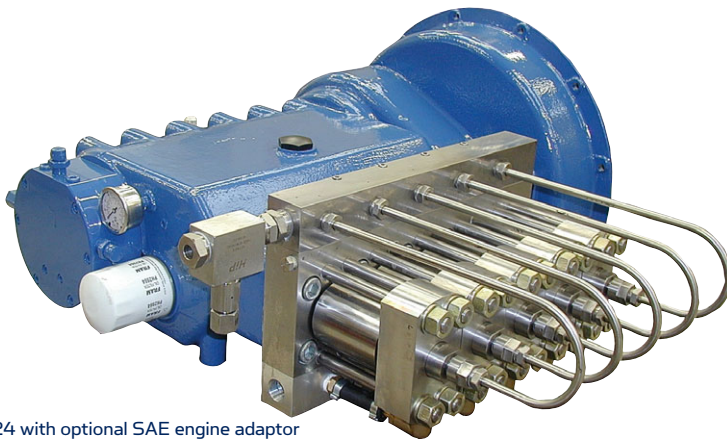
# Ultrabar 24 UHP Quintuplex Pump



Water Jetting Solutions

| Plunger Diameter mm | Gear ratio Input Speed (rpm) |      |      | Pump Speed rpm | Power Required |             | Nominal Flowrate |      |       | Max Pressure |        |
|---------------------|------------------------------|------|------|----------------|----------------|-------------|------------------|------|-------|--------------|--------|
|                     | 1500                         | 1800 | 2000 |                | kW             | HP          | lpm              | igpm | usgpm | bar          | psi    |
| 14                  | 4.00                         |      |      | 375            | <b>88</b>      | 118         | <b>17.3</b>      | 3.8  | 4.6   | <b>2750</b>  | 40,000 |
|                     | 3.67                         |      |      | 409            | <b>96</b>      | 129         | <b>18.8</b>      | 4.1  | 5.0   |              |        |
|                     |                              | 4.00 |      | 450            | <b>106</b>     | 142         | <b>20.7</b>      | 4.6  | 5.5   |              |        |
|                     | 3.12                         |      |      | 481            | <b>113</b>     | 152         | <b>22.2</b>      | 4.9  | 5.9   |              |        |
|                     |                              | 3.67 |      | 490            | <b>115</b>     | 154         | <b>22.6</b>      | 5.0  | 6.0   |              |        |
|                     |                              | 4.00 | 500  | <b>117</b>     | 157            | <b>23.0</b> | 5.1              | 6.1  |       |              |        |

**Additional Notes.** 1. Flourates indicated are swept volume & will reduce with pressure 2. Other gear ratios are available for specific applications  
3. Pump stroke 60mm 4. 9 bar (130 psi) inlet pressure required, filtered to 1 micron



Ultrabar 24 with optional SAE engine adaptor

## Features

- 5 cylinders for smooth output
- Solid ceramic plungers with floating crosshead attachment
- Self adjusting seals with internal water cooling
- Hardened, alloy steel crankshaft with heavy duty roller and steel backed white metal main bearings, supported between each connecting rod
- SG iron crankcase with pressure lubrication, filtration and oil cooling
- Forged connecting rods with low friction, shell type big end bearings and lead bronze lined small end bushes
- Gear driven, eliminating the need for belt drive
- Burst disc for overpressure protection

The Ultrabar 24 model is ideal for single or twin gun applications. The five cylinder design produces an extremely smooth output, extending the life of all UHP components & hoses.

The close coupled, gear driven power end has pressure lubrication, filtration and oil cooling. SAE adaptor housings are available enabling the pump to be flange mounted to a diesel engine flywheel housing or electric motor

- General Dimensions - typical pump build
- Approx weight - 360 kg

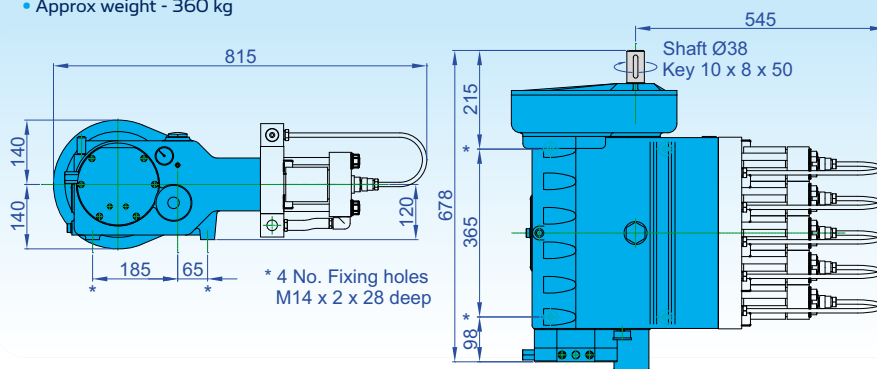
ensuring extremely compact, perfectly aligned installations and enclosing all moving parts.

The Ultrabar range of pumps include design features that allow seals and valves to be monitored without tools and maintenance on individual cylinders.

This improved design is capable of Ultra High Pressure with outstanding seal, plunger and valve life.

## Build Options

- Choice of gear ratio to suit diesel engine or electric motor drive
- SAE adaptor housings (SAE 2 or 3) for flange mounting the pump to a diesel engine flywheel housing or electric motor
- Available without gearbox for low speed direct drive
- Pressure adjusting valves
- Bare shaft pump only or complete unit build



## Hughes Pumps Limited

Spring Gardens, Washington, West Sussex, RH20 3BS UK  
**Tel:** +44 (0) 1903 892358 **Fax:** +44(0) 1903 892062  
**www.hughes-pumps.co.uk** **sales@hughes-pumps.co.uk**

